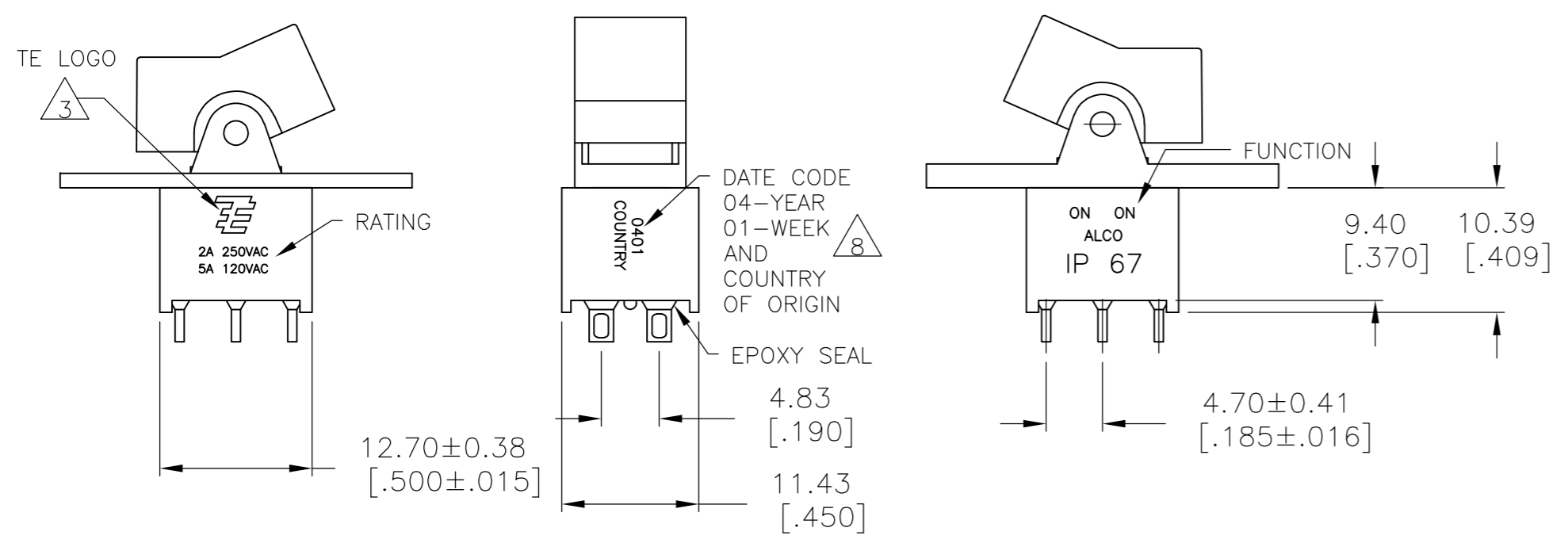


THIS DRAWING IS UNPUBLISHED. RELEASED FOR PUBLICATION  
 © COPYRIGHT - By - ALL RIGHTS RESERVED.

| LOC |     | DIST        |                           | REVISIONS |      |    |  |
|-----|-----|-------------|---------------------------|-----------|------|----|--|
| P   | LTR | DESCRIPTION | DATE                      | DWN       | APVD |    |  |
| AD  | 00  | A6          | REVISED PER ECO-14-005988 | 23APR2014 | NK   | RH |  |



- ALL MATERIALS AND FINISHES SHALL COMPLY WITH EU DIRECTIVE 2002/95/EC OF 27JAN2003 (ROHS).
- G CONTACT OPTION CAN BE USED FOR SIGNAL OR POWER LEVEL SWITCHING. IF SWITCH IS USED AT LEVELS EXCEEDING .4VA @ 20V AC/DC, SWITCH IS RENDERED FOR POWER SWITCHING ONLY DUE TO ARC REMOVAL OF GOLD PLATING. RATING MARKED ON THE SWITCH IS 2A 250VAC, 5A 120VAC.
- TE LOGO
- SWITCHES MEET REQUIREMENTS OF IP67
- PANEL MOUNT ACTUATOR PIVOT SUPPLIED WITH C, W, W4, Z & Z3 TERMINATIONS. PC MOUNT ACTUATOR PIVOT SUPPLIED WITH A, AV2, V3 & V4 TERMINATIONS
- SP3T FUNCTION ACHIEVED WITH FUNCTIONS 11, 13 & 15 BY CUSTOMER APPLIED JUMPER BETWEEN TERMINALS 3 AND 5.
- DATE CODE AND COUNTRY OF ORIGIN MAY APPEAR ON EITHER SIDE OF SWITCH.
- ALL LOGO, RATING, DATE CODE, AND FUNCTION MARKINGS TO BE LASER MARKED.

| FUNCTION CHART                                 |                |                |                |
|------------------------------------------------|----------------|----------------|----------------|
| FUNCTION                                       |                |                |                |
|                                                | 1 2 3<br>4 5 6 | 1 2 3<br>4 5 6 | 1 2 3<br>4 5 6 |
| 01                                             | ON             | NONE           | ON             |
| 03                                             | ON             | OFF            | ON             |
| 05                                             | (ON)           | OFF            | (ON)           |
| 07                                             | ON             | OFF            | (ON)           |
| 08                                             | ON             | NONE           | (ON)           |
| TERMINALS CONNECTED                            | 2-3, 5-6       | ---            | 1-2, 4-5       |
| 11                                             | ON             | ON             | ON             |
| 13                                             | ON             | ON             | (ON)           |
| 15                                             | (ON)           | ON             | (ON)           |
| TERMINALS CONNECTED                            | 2-3, 5-6       | 2-3, 4-5       | 1-2, 4-5       |
| SP3T SCHEMATIC<br>(11, 13 & 15 ONLY)<br>NOTE 7 |                |                |                |
|                                                | IN 2, OUT 6    | IN 2, OUT 4    | IN 2, OUT 1    |

NONE: NO MECHANICAL POSITION  
 OFF: MECHANICAL POSITION WITH NO ELECTRICAL CONNECTION  
 (ON): MOMENTARY ACTION

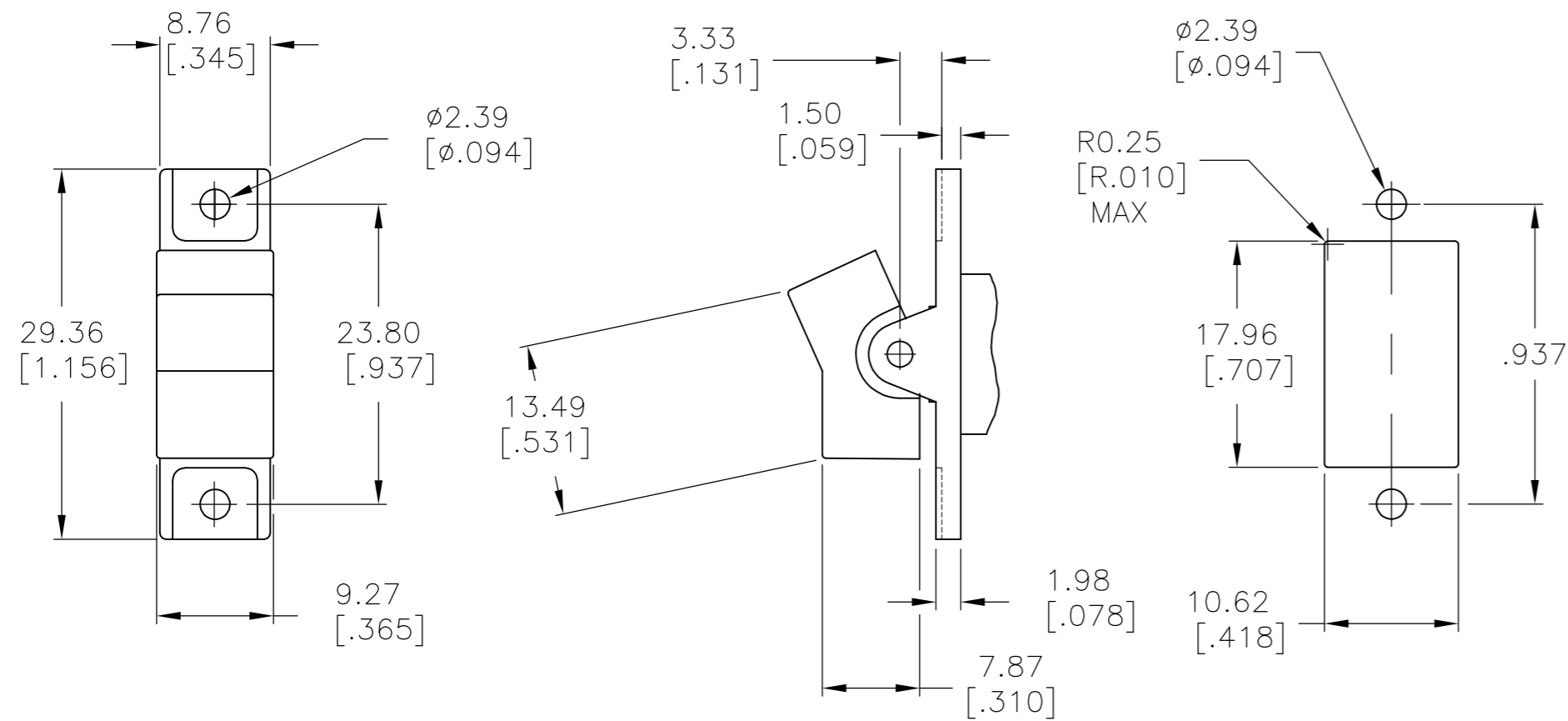
| SPECIFICATIONS                  |                                          |
|---------------------------------|------------------------------------------|
| RATING, B CONTACTS              | .4VA MAX @20V MAX. AC OR DC              |
| RATING, G CONTACTS-SEE NOTE 2   | .4VA MAX @20V MAX. AC OR DC OR           |
|                                 | 5A @120 VAC OR 28 VDC (RESISTIVE)        |
| RATING, Q CONTACTS              | 2A @250 VAC (RESISTIVE)                  |
|                                 | 5A @120 VAC OR 28 VDC (RESISTIVE)        |
| ELECTRICAL LIFE                 | 6,000 CYCLES AT RATED LOAD               |
| CONTACT RESISTANCE              | 10 MILLIOHMS MAX INITIAL @ 2-4VDC, 100MA |
| INSULATION RESISTANCE           | 1,000 MEGOHMS MIN                        |
| DIELECTRIC WITHSTANDING VOLTAGE | 1,000 V RMS AT SEA LEVEL                 |
| OPERATING TEMPRATURE            | -30C TO 85C                              |

| PART NUMBER SEQUENCE |          |        |          |         |                |      |
|----------------------|----------|--------|----------|---------|----------------|------|
| MODEL                | FUNCTION | TOGGLE | TERMINAL | CONTACT | ACTUATOR COLOR | ROHS |
| AE2                  |          |        |          |         |                | 04   |
|                      | 01       | J1     | A        | B       | 0 BLACK (STD)  |      |
|                      | 03       | J50    | AV2      | G       | 1 BROWN        |      |
|                      | 05       | J2     | C        | Q       | 2 RED          |      |
|                      | 07       | J60    | V3       |         | 3 ORANGE       |      |
|                      | 08       |        | V4       |         | 4 YELLOW       |      |
|                      | 11       |        | W        |         | 5 GREEN        |      |
|                      | 13       |        | W4       |         | 6 BLUE         |      |
|                      | 15       |        | Z        |         | 8 GRAY         |      |
|                      |          |        | Z3       |         | 9 WHITE        |      |

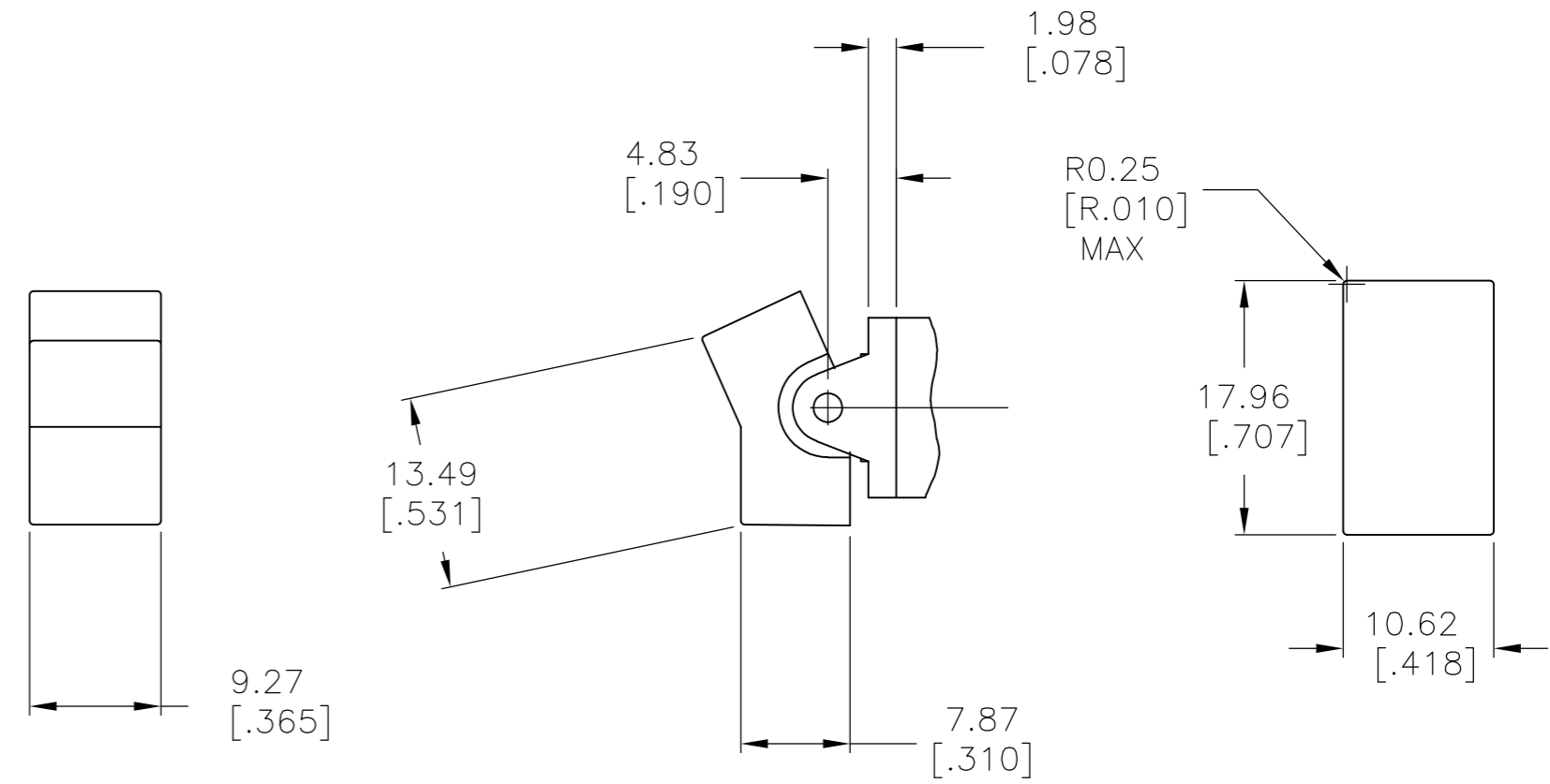
|                                        |  |                      |                     |                                            |           |            |
|----------------------------------------|--|----------------------|---------------------|--------------------------------------------|-----------|------------|
| THIS DRAWING IS A CONTROLLED DOCUMENT. |  | DWN M.BINNER 06JAN05 | <br>TE Connectivity | NAME                                       |           |            |
| DIMENSIONS: mm [INCHES]                |  | CHK M.ZITTO 06JAN05  |                     | GEMINI AE SERIES ROCKER SWITCH DOUBLE POLE |           |            |
| TOLERANCES UNLESS OTHERWISE SPECIFIED: |  | APVD M.ZITTO 06JAN05 |                     | SIZE                                       | CAGE CODE | DRAWING NO |
| 0 PLC ± -                              |  | PRODUCT SPEC         |                     | A2                                         | 00779     | C=1571989  |
| 1 PLC ± -                              |  | APPLICATION SPEC     | WEIGHT              | RESTRICTED TO                              |           |            |
| 2 PLC ± -                              |  |                      |                     | -                                          |           |            |
| 3 PLC ± .010                           |  |                      |                     | SCALE 2:1 SHEET 1 of 5 REV A6              |           |            |
| 4 PLC ± -                              |  |                      |                     |                                            |           |            |
| ANGLES ± 4°                            |  |                      |                     |                                            |           |            |
| FINISH                                 |  |                      |                     |                                            |           |            |
| MATERIAL                               |  |                      |                     |                                            |           |            |
|                                        |  |                      |                     |                                            |           |            |

THIS DRAWING IS UNPUBLISHED. RELEASED FOR PUBLICATION  
 © COPYRIGHT - By - ALL RIGHTS RESERVED.

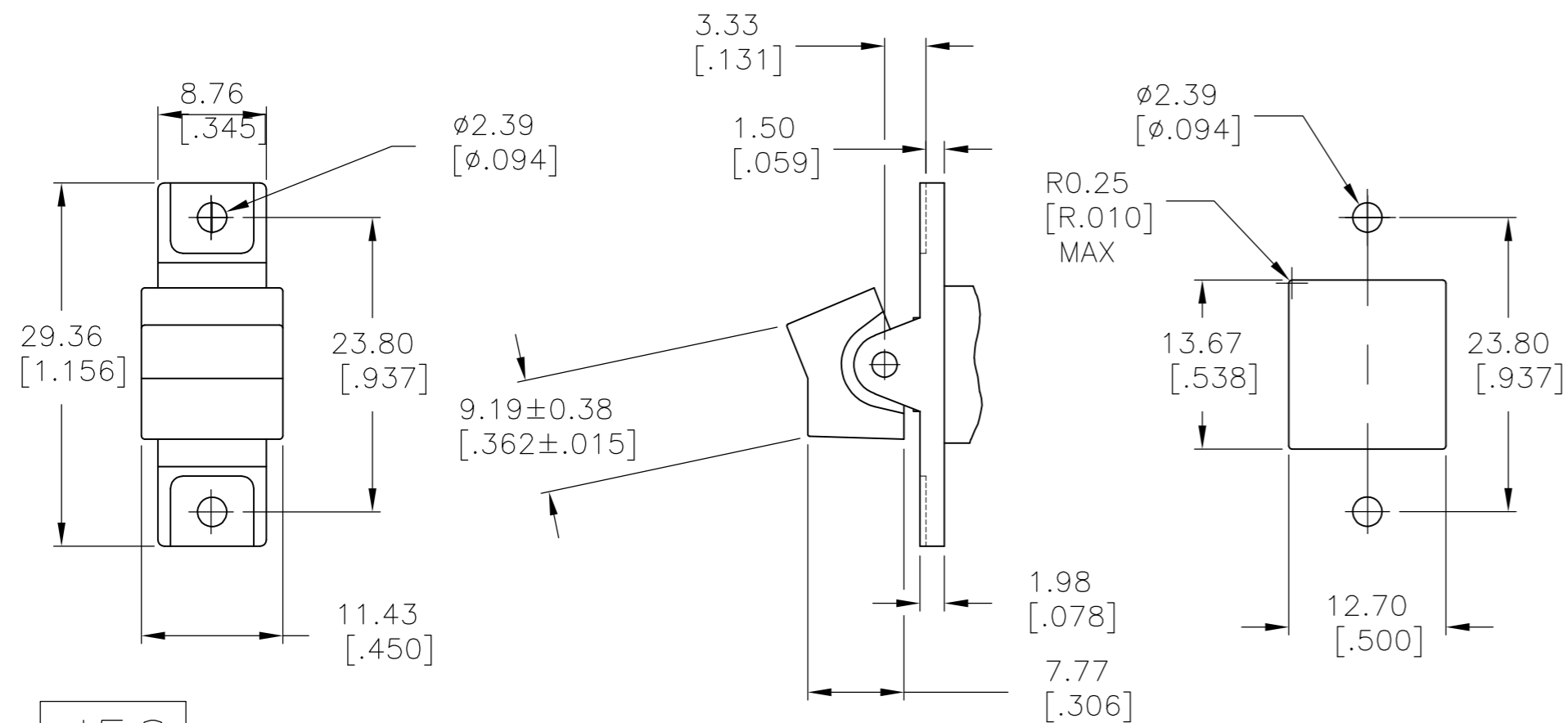
| LOC | DIST | REVISIONS |     |             |      |     |      |
|-----|------|-----------|-----|-------------|------|-----|------|
| AD  | 00   | P         | LTR | DESCRIPTION | DATE | DWN | APVD |
|     |      | -         | -   | SEE SHEET 1 | -    | -   | -    |



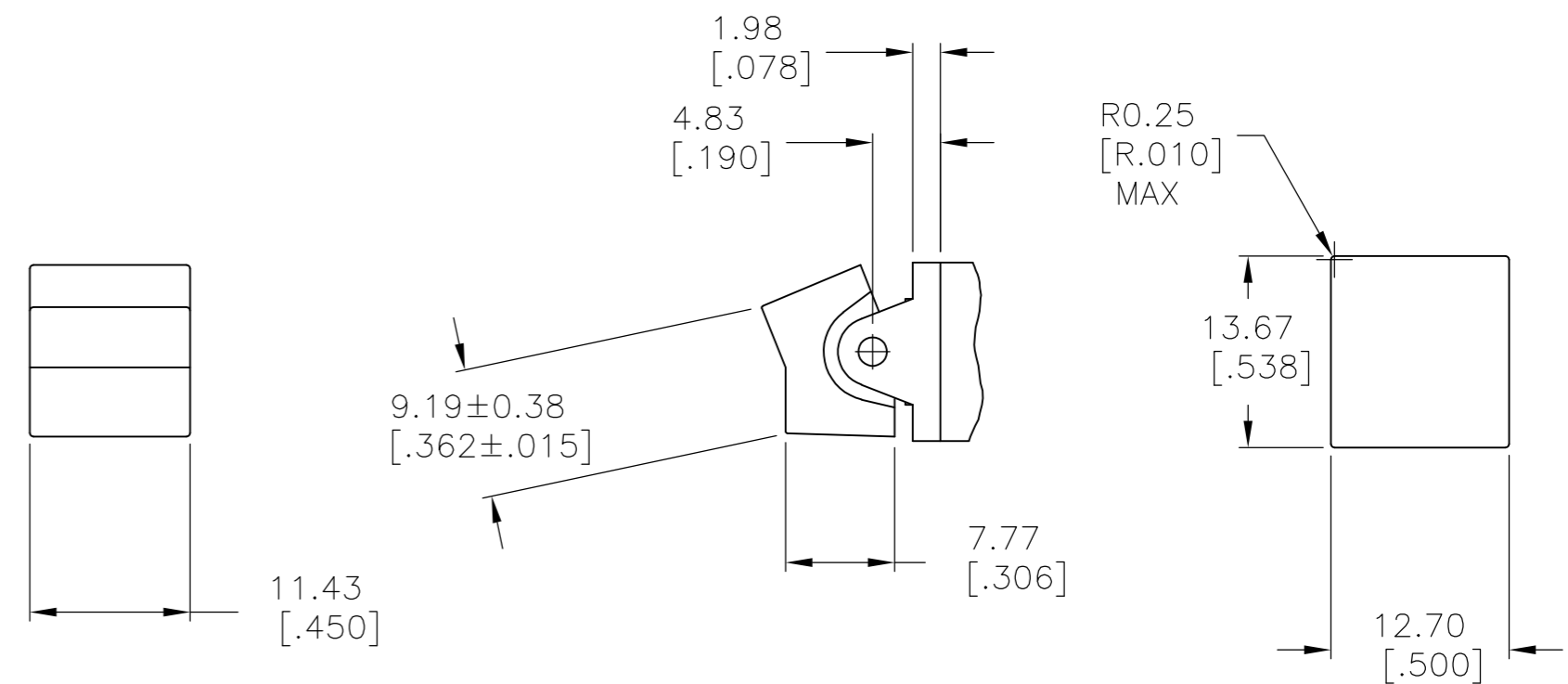
J1 SHOWN WITH PANEL MOUNT ACTUATOR PIVOT



J1 SHOWN WITH PC MOUNT ACTUATOR PIVOT



J50 SHOWN WITH PANEL MOUNT ACTUATOR PIVOT

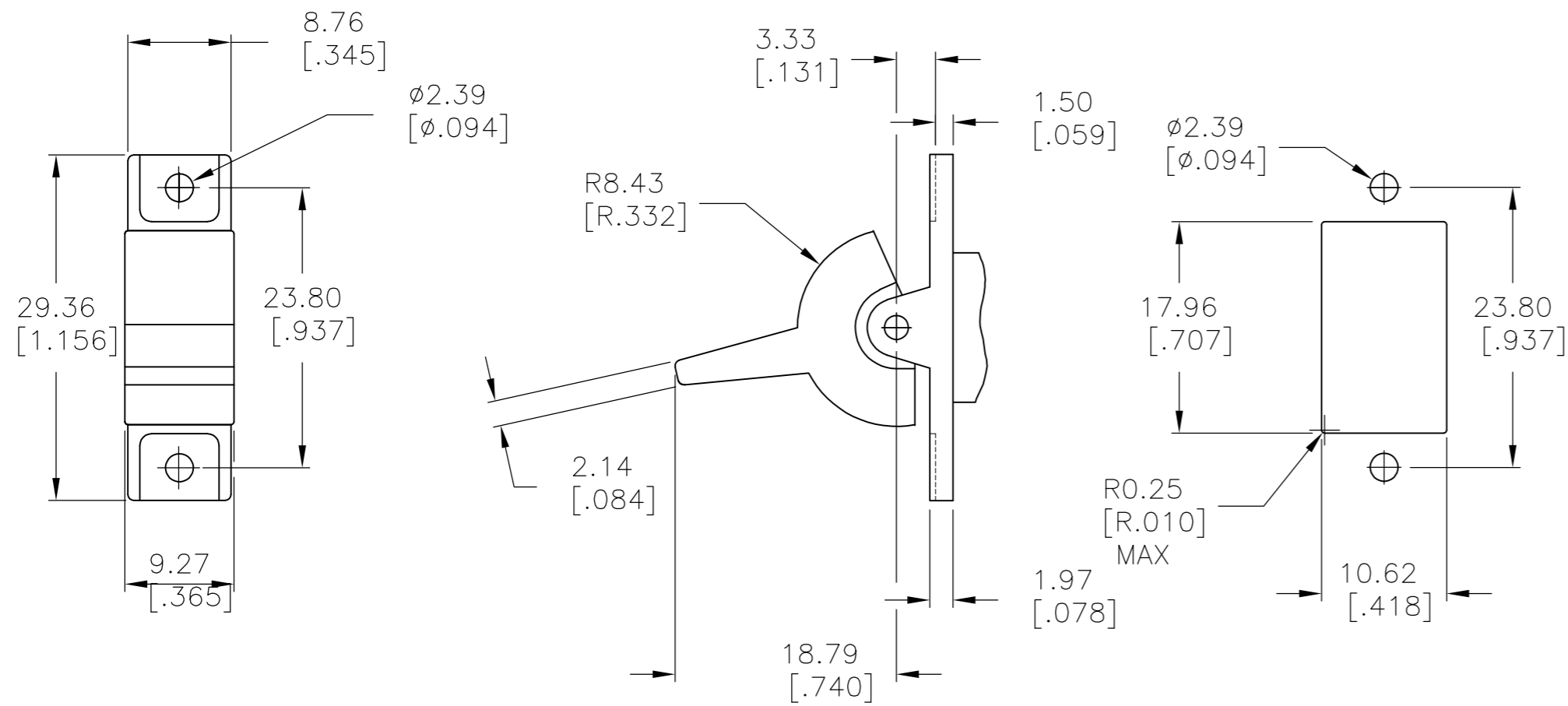


J50 SHOWN WITH PC MOUNT ACTUATOR PIVOT

|                       |                         |
|-----------------------|-------------------------|
| 1.52-3.17 [.060-.125] | 15.75-15.87 [.620-.625] |
| 1.19-1.50 [.047-.059] | 15.72 [.619]            |
| PANEL THICKNESS       | DIM "A"                 |

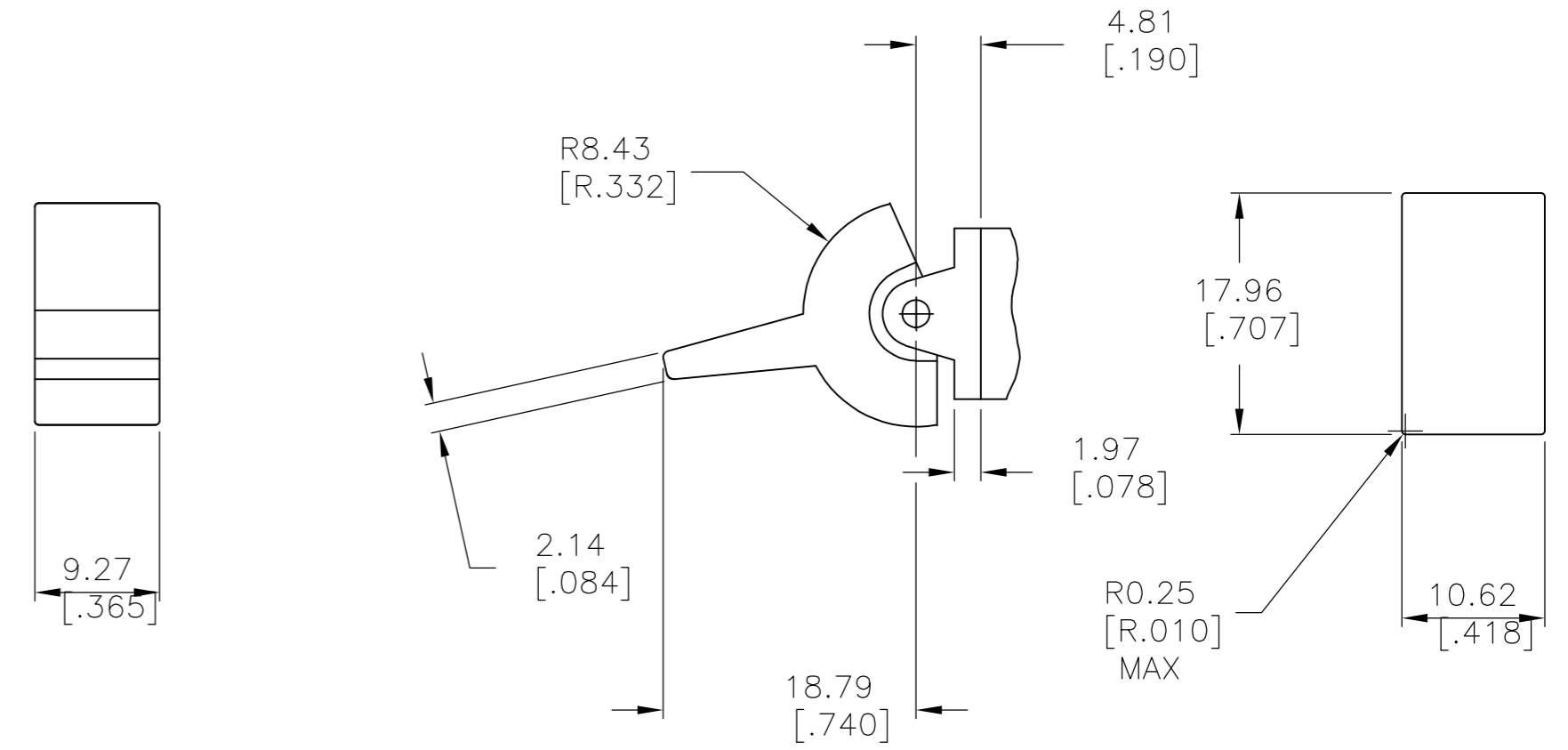
|                                                                                                                           |  |                            |                  |                                                       |                               |            |
|---------------------------------------------------------------------------------------------------------------------------|--|----------------------------|------------------|-------------------------------------------------------|-------------------------------|------------|
| THIS DRAWING IS A CONTROLLED DOCUMENT.                                                                                    |  | DWN<br>M.BINNER<br>06JAN05 |                  | TE Connectivity                                       |                               |            |
| DIMENSIONS:<br>mm [INCHES]                                                                                                |  | CHK<br>M.ZITTO<br>06JAN05  |                  | NAME<br>GEMINI AE SERIES ROCKER SWITCH<br>DOUBLE POLE |                               |            |
| TOLERANCES UNLESS OTHERWISE SPECIFIED:<br>0 PLC ± -<br>1 PLC ± -<br>2 PLC ± -<br>3 PLC ± .010<br>4 PLC ± -<br>ANGLES ± 4° |  | APVD<br>M.ZITTO<br>06JAN05 |                  | SIZE                                                  | CAGE CODE                     | DRAWING NO |
| MATERIAL                                                                                                                  |  | PRODUCT SPEC               |                  | A2                                                    | 00779                         | C=1571989  |
| FINISH                                                                                                                    |  | APPLICATION SPEC           | RESTRICTED TO    |                                                       |                               |            |
|                                                                                                                           |  | WEIGHT                     | CUSTOMER DRAWING |                                                       | SCALE 2:1 SHEET 2 OF 5 REV A6 |            |

THIS DRAWING IS UNPUBLISHED. RELEASED FOR PUBLICATION  
 © COPYRIGHT - By - ALL RIGHTS RESERVED.

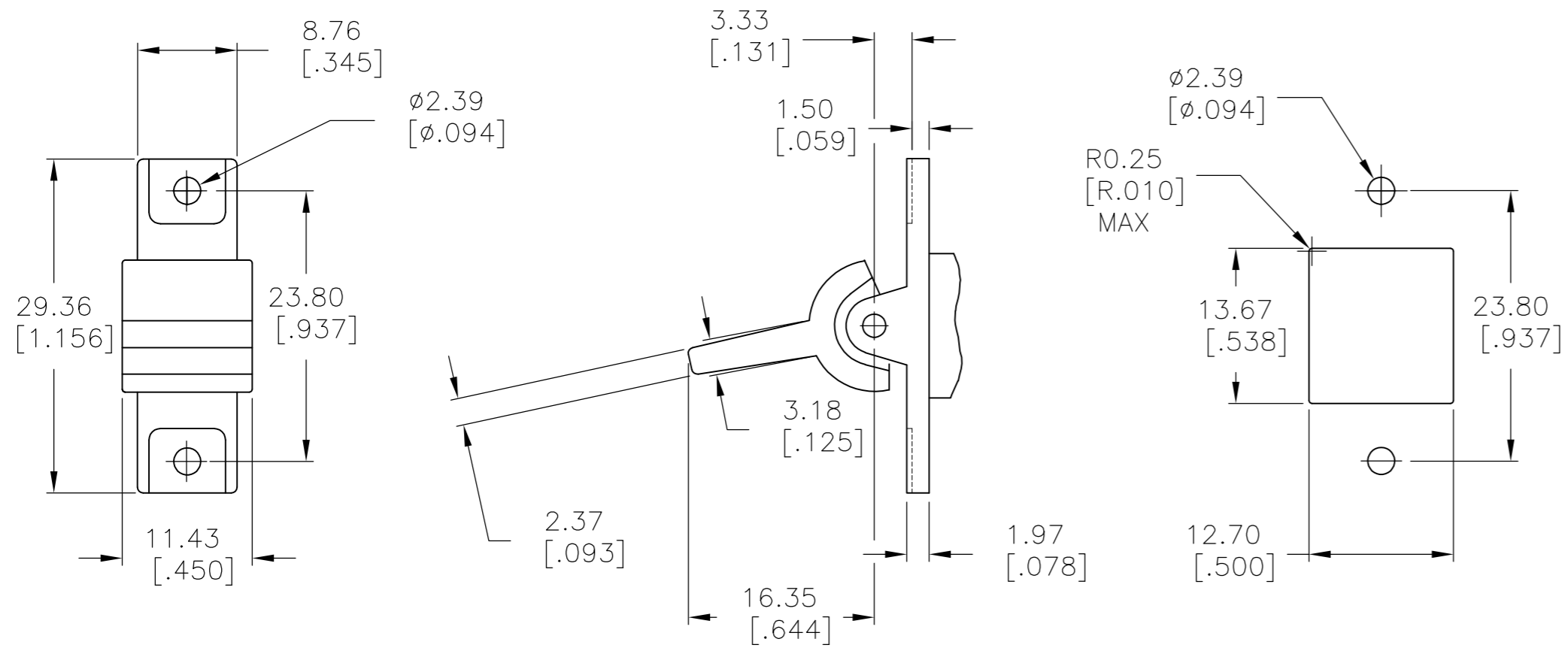


J2 SHOWN WITH PANEL MOUNT ACTUATOR PIVOT

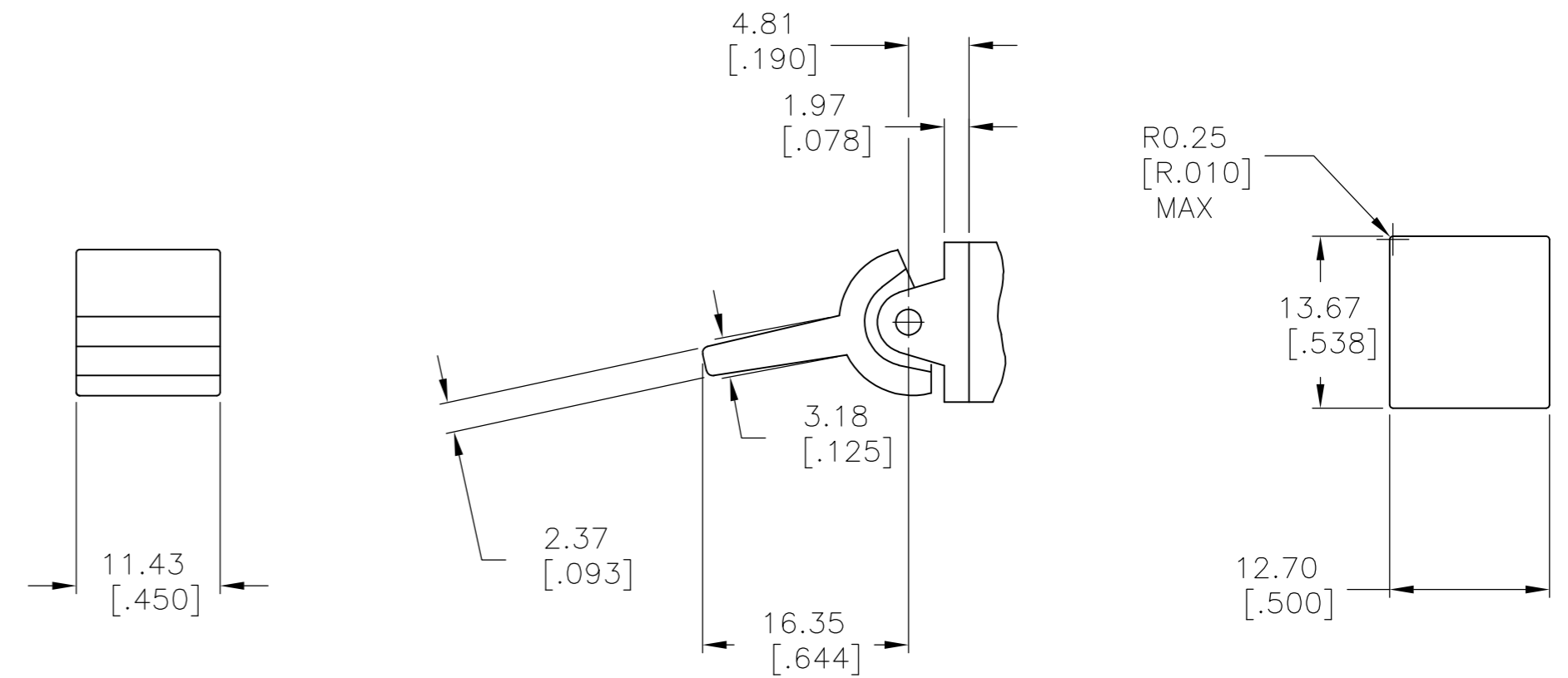
| LOC | DIST | REVISIONS |     |             |      |     |      |
|-----|------|-----------|-----|-------------|------|-----|------|
| AD  | 00   | P         | LTR | DESCRIPTION | DATE | DWN | APVD |
|     |      | -         | -   | SEE SHEET 1 | -    | -   | -    |



J2 SHOWN WITH PC MOUNT ACTUATOR PIVOT



J60 SHOWN WITH PANEL MOUNT ACTUATOR PIVOT



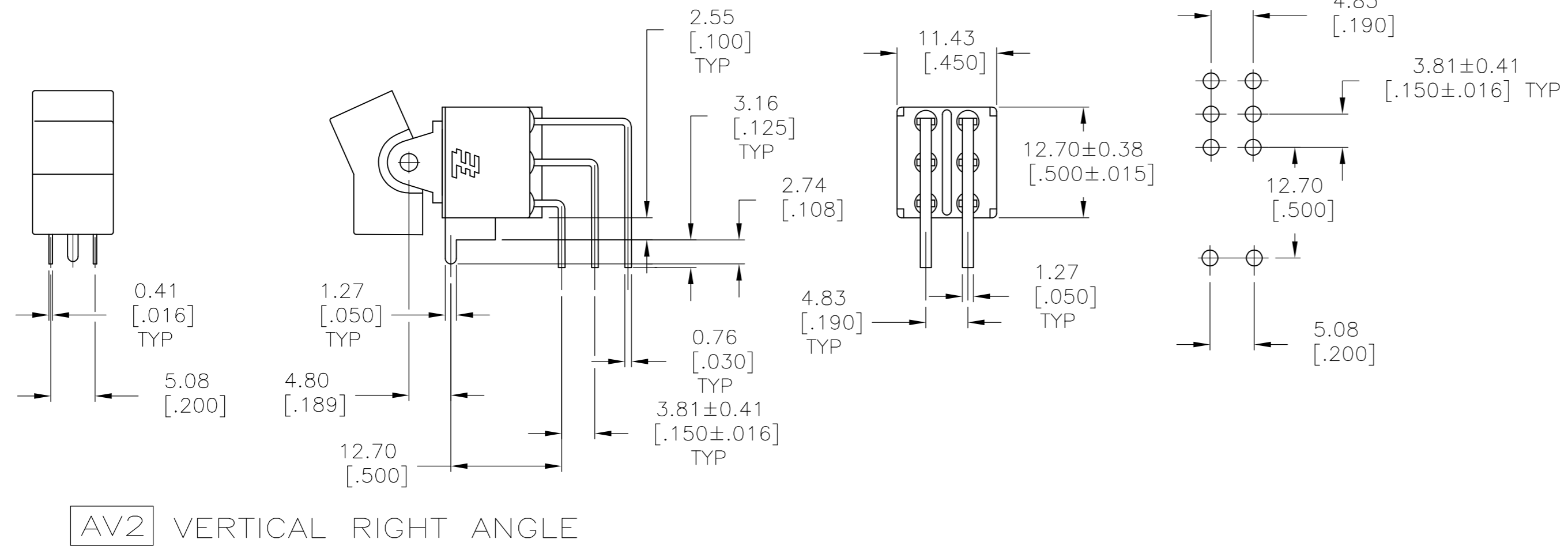
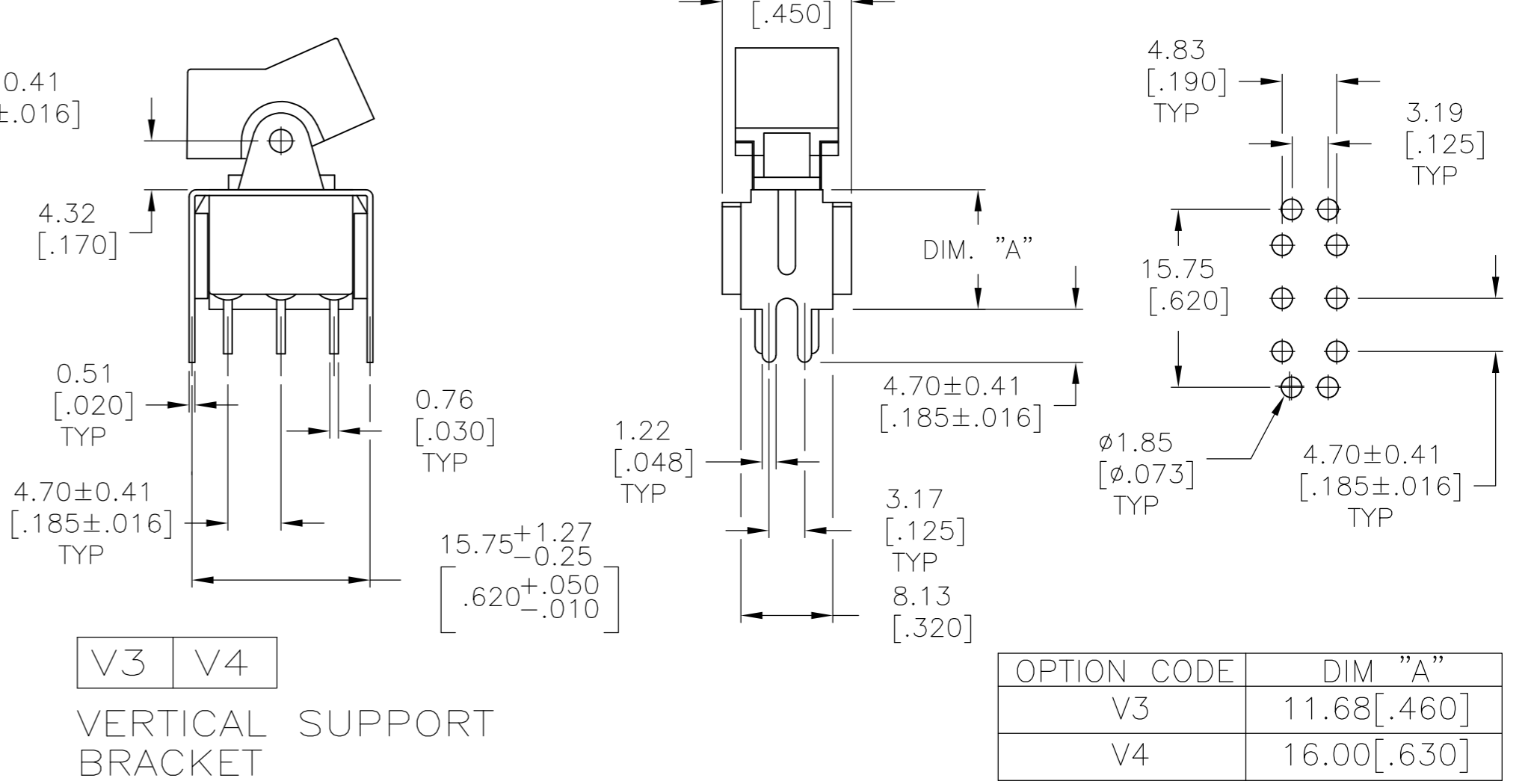
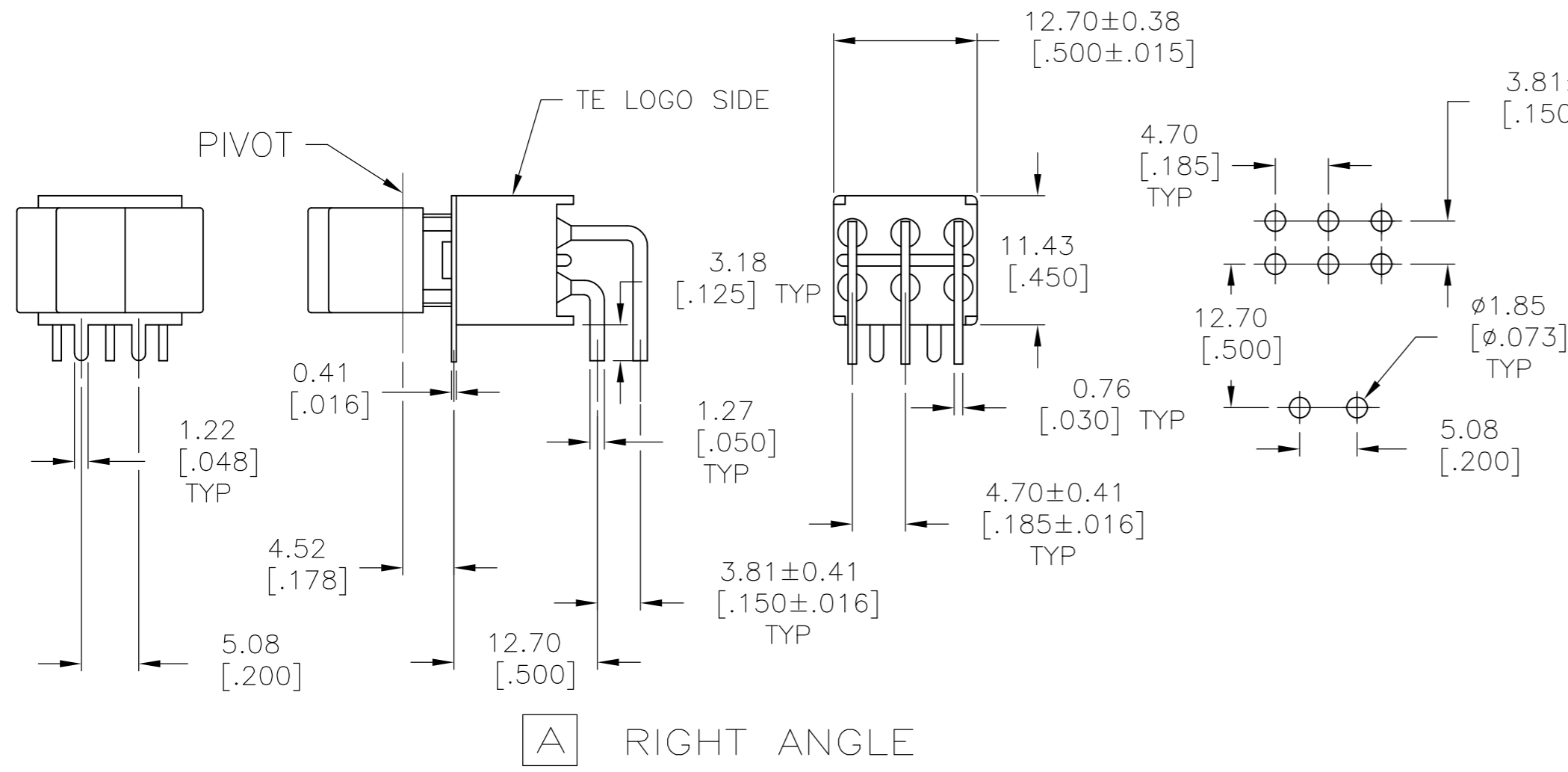
J60 SHOWN WITH PC MOUNT ACTUATOR PIVOT

|                       |                         |
|-----------------------|-------------------------|
| 1.52-3.17 [.060-.125] | 15.75-15.87 [.620-.625] |
| 1.19-1.50 [.047-.059] | 15.72 [.619]            |
| PANEL THICKNESS       | DIM "A"                 |

|                                                                                 |  |              |          |         |                 |           |            |               |
|---------------------------------------------------------------------------------|--|--------------|----------|---------|-----------------|-----------|------------|---------------|
| THIS DRAWING IS A CONTROLLED DOCUMENT.                                          |  | DWN          | M.BINNER | 06JAN05 | TE Connectivity |           |            |               |
| DIMENSIONS: mm [INCHES]                                                         |  | CHK          | M.ZITTO  | 06JAN05 |                 |           |            |               |
| TOLERANCES UNLESS OTHERWISE SPECIFIED:                                          |  | APVD         | M.ZITTO  | 06JAN05 |                 |           |            |               |
| 0 PLC ± -<br>1 PLC ± -<br>2 PLC ± -<br>3 PLC ± .010<br>4 PLC ± -<br>ANGLES ± 4° |  | PRODUCT SPEC | NAME     |         |                 |           |            |               |
| MATERIAL                                                                        |  | FINISH       | WEIGHT   |         | SIZE            | CAGE CODE | DRAWING NO | RESTRICTED TO |
| -                                                                               |  | -            | -        |         | A2              | 00779     | C=1571989  | -             |
| CUSTOMER DRAWING                                                                |  |              |          |         | SCALE           | 2:1       | SHEET      | 3 of 5        |
|                                                                                 |  |              |          |         | REV             | A6        |            |               |

THIS DRAWING IS UNPUBLISHED. RELEASED FOR PUBLICATION  
 © COPYRIGHT - By - ALL RIGHTS RESERVED.

| LOC |     | DIST        |      | REVISIONS |      |  |  |
|-----|-----|-------------|------|-----------|------|--|--|
| P   | LTR | DESCRIPTION | DATE | DWN       | APVD |  |  |
| -   | -   | SEE SHEET 1 | -    | -         | -    |  |  |



THIS DRAWING IS A CONTROLLED DOCUMENT.

|                  |          |         |
|------------------|----------|---------|
| DWN              | M.BINNER | 06JAN05 |
| CHK              | M.ZITTO  | 06JAN05 |
| APVD             | M.ZITTO  | 06JAN05 |
| PRODUCT SPEC     |          |         |
| APPLICATION SPEC |          |         |
| WEIGHT           | -        |         |
| CUSTOMER DRAWING |          |         |

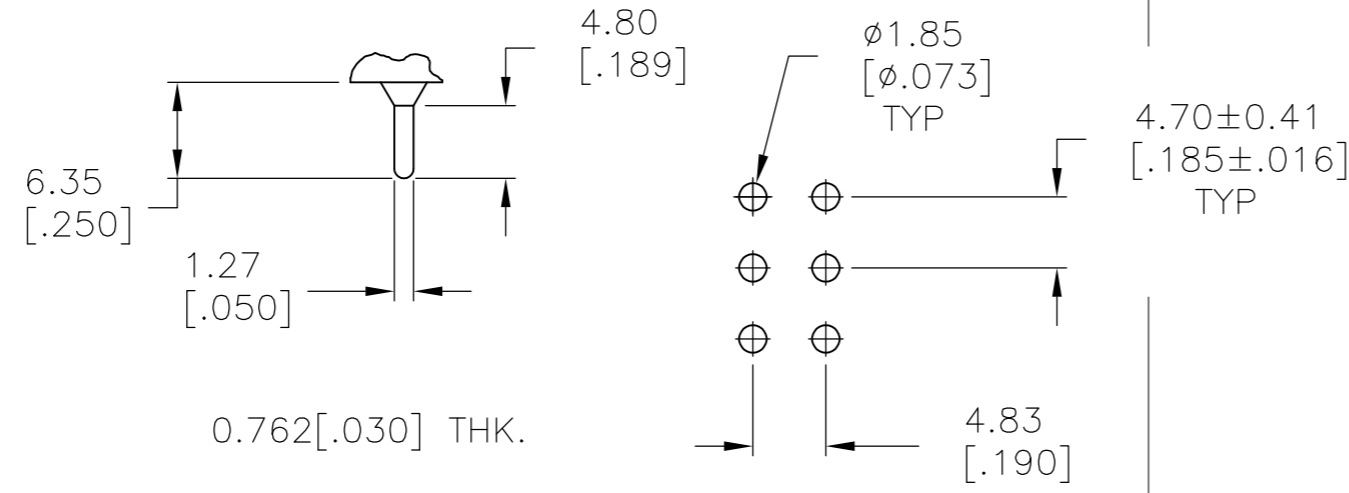
**TE** TE Connectivity

GEMINI AE SERIES ROCKER SWITCH  
DOUBLE POLE

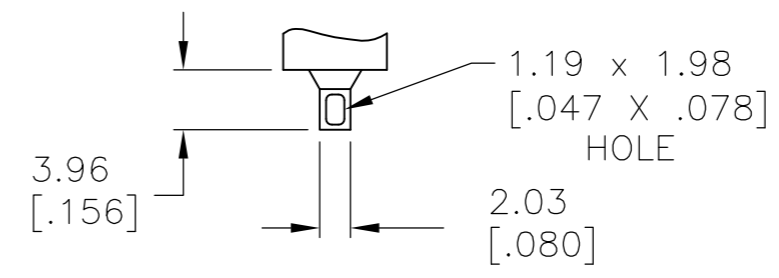
|       |     |           |       |            |           |               |    |
|-------|-----|-----------|-------|------------|-----------|---------------|----|
| SIZE  | A2  | CAGE CODE | 00779 | DRAWING NO | C=1571989 | RESTRICTED TO | -  |
| SCALE | 2:1 | SHEET     | 4     | OF         | 5         | REV           | A6 |

THIS DRAWING IS UNPUBLISHED. RELEASED FOR PUBLICATION  
 © COPYRIGHT - By - ALL RIGHTS RESERVED.

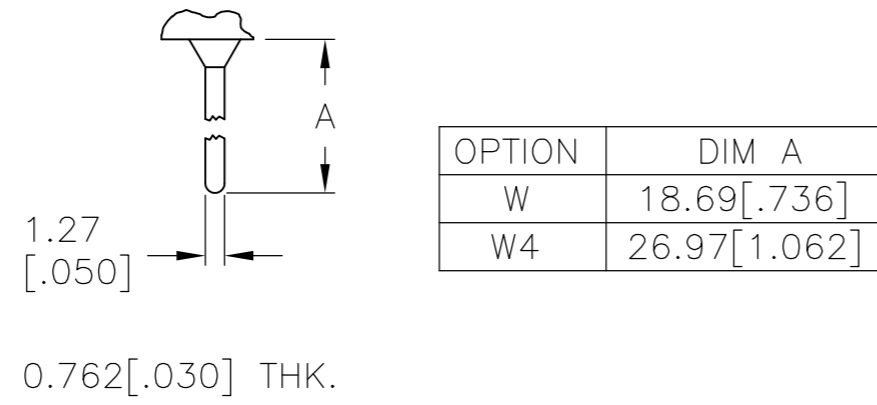
| LOC | DIST | REVISIONS   |      |     |      |
|-----|------|-------------|------|-----|------|
| P   | LTR  | DESCRIPTION | DATE | DWN | APVD |
| AD  | 00   | SEE SHEET 1 | -    | -   | -    |



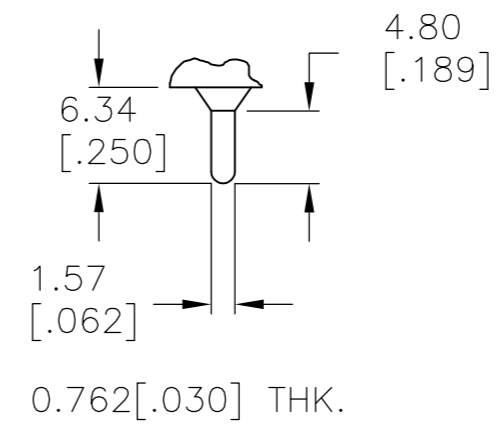
**C** PRINTED CIRCUIT



**Z** WIRE LUG



**W** **W4** WIRE WRAP



**Z3** QUICK CONNECT

MATERIALS CHART

| COMPONENT NAME         | BASE MATERIAL             | FINISH                 |
|------------------------|---------------------------|------------------------|
| CASE & BUSHING         | NYLON, RED, UL94 V-0      |                        |
| O-RING                 | PVC, BLACK                |                        |
| B TERMINALS & CONTACTS | COPPER                    | GOLD NICKEL            |
| G TERMINALS & CONTACTS | COPPER                    | GOLD OVER SILVER       |
| Q TERMINALS & CONTACTS | COPPER                    | GOLD FLASH OVER SILVER |
| ACTUATOR               | PHENOLIC, BLACK, UL94 V-1 |                        |
| ACTUATOR LEVER         | ZINC ALLOY                | NICKEL                 |
| SPRING                 | MUSIC WIRE                |                        |
| PIVOT PIN              | STEEL                     | NICKEL                 |
| MOUNTING BRACKET       | NYLON, UL94 V-1           |                        |
| ROCKER CAP             | NYLON, UL94 V-1           |                        |
| TERMINAL SEAL          | EPOXY, UL94V-0            |                        |
| MARKING                | INK, BLACK                |                        |
| SUPPORT BRACKET        | BRASS                     | TIN                    |
| RETAINER               | STAINLESS STEEL           |                        |

|                |           |
|----------------|-----------|
| AE208J50V3B004 | 1571989-8 |
| AE205J60V3B004 | 1571989-7 |
| AE205J50V3B004 | 1571989-6 |
| AE203J1AQ004   | 1571989-5 |
| AE201J2AQ204   | 1571989-4 |
| AE201J1V3B004  | 1571989-3 |
| AE201J1AV2Q004 | 1571989-2 |
| AE201J1AQ004   | 1571989-1 |
| ALCO P/N       | PART NO.  |

THIS DRAWING IS A CONTROLLED DOCUMENT.

|      |          |         |
|------|----------|---------|
| DWN  | M.BINNER | 06JAN05 |
| CHK  | M.ZITTO  | 06JAN05 |
| APVD | M.ZITTO  | 06JAN05 |

TE Connectivity

GEMINI AE SERIES ROCKER SWITCH  
DOUBLE POLE

|       |     |           |        |            |           |               |   |
|-------|-----|-----------|--------|------------|-----------|---------------|---|
| SIZE  | A2  | CAGE CODE | 00779  | DRAWING NO | C=1571989 | RESTRICTED TO | - |
| SCALE | 2:1 | SHEET     | 5 of 5 | REV        | A6        |               |   |

CUSTOMER DRAWING